

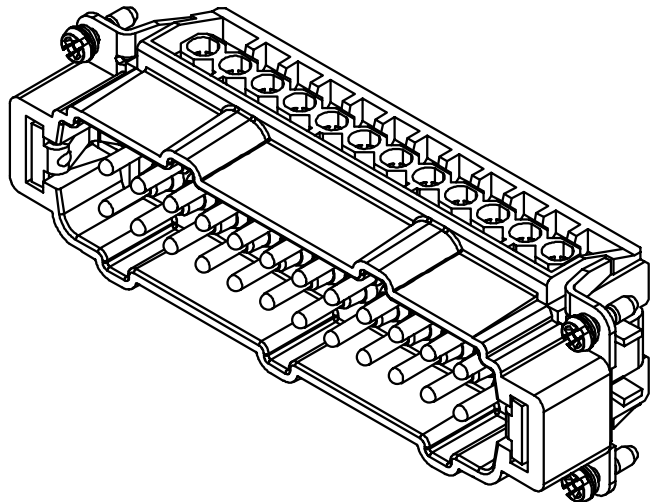
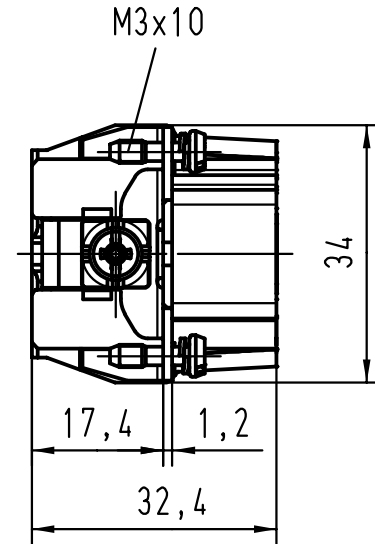
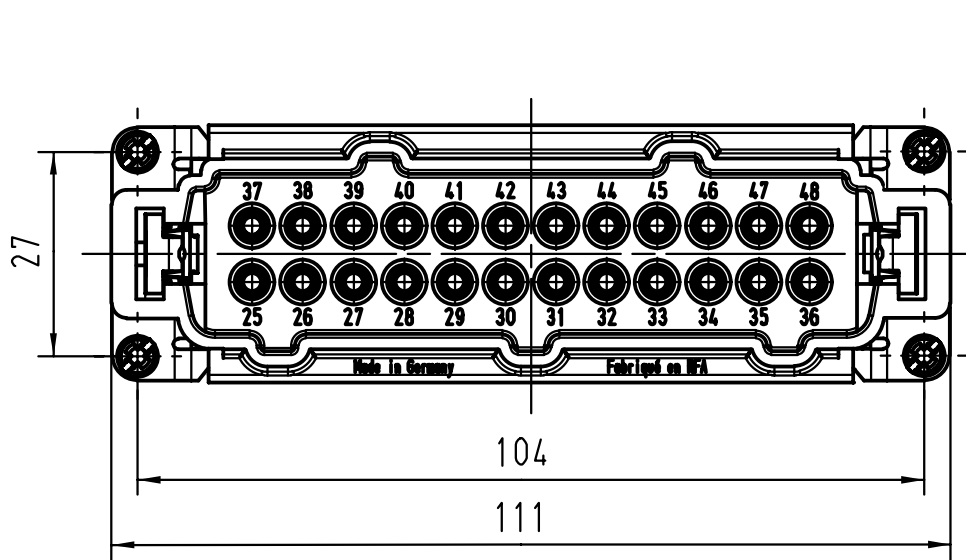
5

4

3

2

1



| | | | | | |
|---|-------------------|----------|---|--|---|
| <p>All Dimensions in mm Original Size DIN A 4</p> | Techn. Character. | | | Nicht tolerierte Masse/ Free size tolerances | |
| | | Dat. | Name | Massstab/Scale | <p>Han 24E-sti-s (25 - 48) Stifteinsatz / male insert</p> |
| | | Detail. | 03.09.99 Roh | | |
| | | Insp. | RÜ | | |
| | 28552 | 11.10.00 | ROH. | Stand. | 1:1 |
| 27797 | 26.04.00 | ROH. | | | |
| 26781 | | | | | |
| Mod. | Dat. | Name | <p>HARTING KGaA D-32339 ESPELKAMP</p> | | <p>Sub.</p> |

Blatt/ page